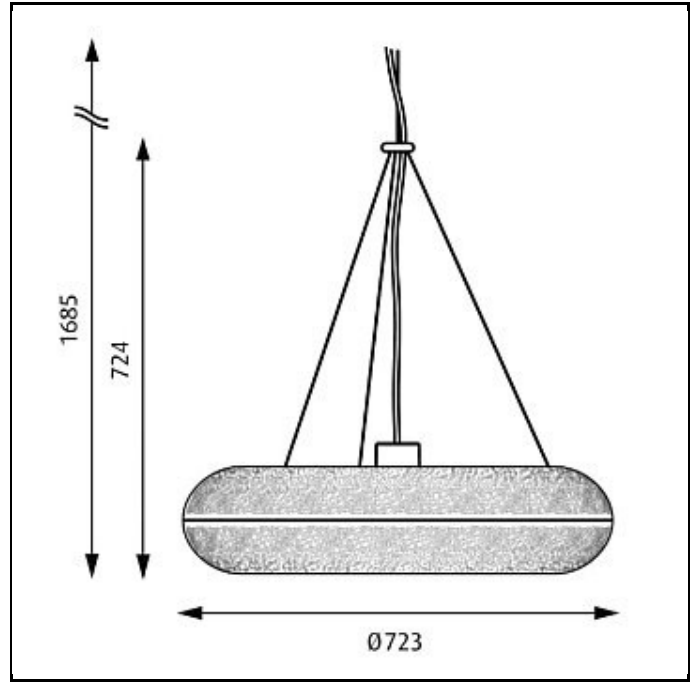


# Aeros



**Design** Ross Lovegrove

**Concept** The fixture emits warm diffuse light directed primarily downwards. The reflector design is based on the organic Fibonacci pattern and provides a rare and appealing light distribution, as well as a decorative effect on the fixture. The organically inspired perforation pattern on the body of the fixture also provides an interesting and mystical lighting effect. The fixture has an almost three-dimensional expression, which makes it appear to float in the room.

**Finish** Golden Sand, anodised. White, powder coated.

**Material** Shades: Form pressed aluminium. Canopy: Spun aluminium. Wire connector: Turned aluminium. Diffuser: Acrylic satine.

**Mounting** Suspension type: Cable 1.5m, 3x0.75mm<sup>2</sup> (Cl. I) and wire or Cable 3m, 2x0.75mm<sup>2</sup> (Cl. II) and wire. Canopy: Yes.

**Weight** Max. 4.5kg.

**Class** Ingress protection IP20. Electric shock protection I w/ground, II w/o ground.

Product Code	Light source	Voltage/Frequency	Finish	Class	Cable type
AEROS-P	1x35W HIT-CRI G8.5 HF	230V/12V	GOLDEN SAND ANOD	I	NOT APPLICABLE
	1x60W HALOPIN ECO G9	230V/50HZ	WHT	II	WHT TEX
	1x75W QT ax-12 Clear GY6,35				

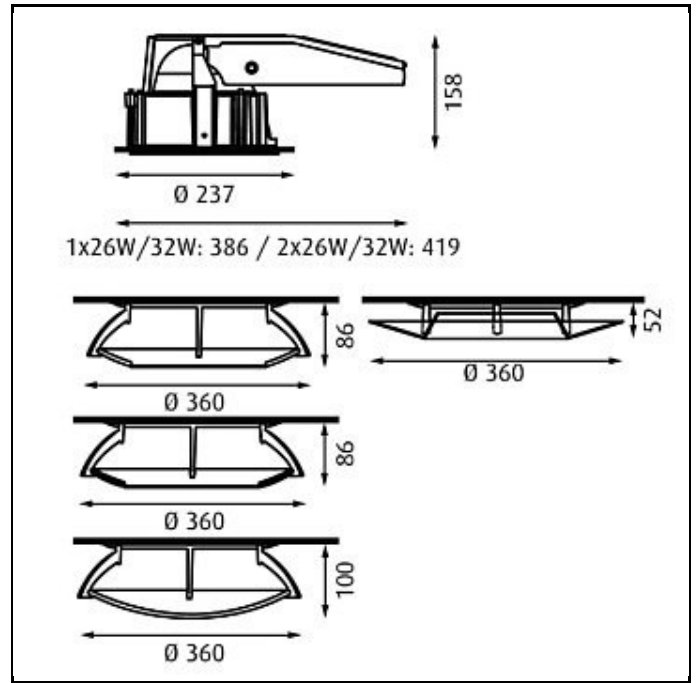
**Specification notes**

75W QT only available with 230/12V. 35W HIT and MAX 60W Halopin only available with 230/50Hz. 60W Halopin only available with class II. 35W and 75W QT only available with class I.

**Info notes**

For higher ceiling heights a special extension is available.

# AH System 360



**Design** Alfred Homann

**Concept** The fixture emits light directed primarily downwards. A key feature of the fixture is that the electrical components are built into the ceiling, while the light distribution parts (LDP) are located below the ceiling. The light distribution is controlled primarily via glossy or matt reflectors, such that the LDP components create different lighting effects.

**Finish** (LDP) Polished aluminium or satinised aluminium, wet painted.

**Material** LDP: Die cast aluminium. Glass: White opal glass or white and clear overlay glass. Support arms: Die cast aluminium. Reflector: Spun aluminium, matt anodised or spun metallised polished aluminium.

**Mounting** Ceiling thickness: 1-50mm. Ceiling Cut-Out:  $\varnothing 210$ mm. Terminal block: 1x5x2.5mm<sup>2</sup>. Looping: Approved, max. 5x1,5mm<sup>2</sup>. For more information please look at [www.louispoulsen.com](http://www.louispoulsen.com).

**Weight** Max. 4kg.

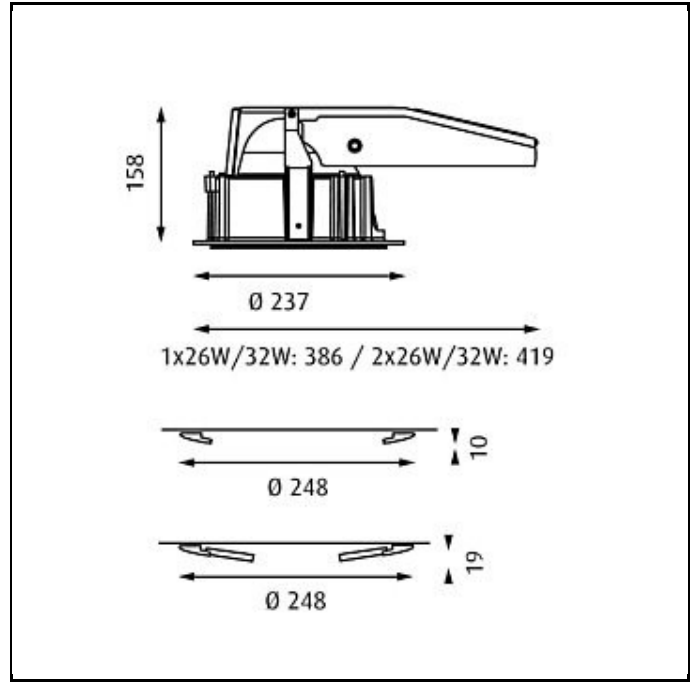
**Class** Ingress protection IP20. Electric shock protection I w. ground.

Product Code	Light source	Finish	Reflector	Lighting control
AHS-360-C	1x26W TC-TEL GX24q-3 HF	ALU	MATT	DALI/DSI/SWITCH-DIM/SMART-DIM
	1x32W TC-TEL GX24q-3 HF			
	1x32W TC-TEL GX24q-3 HF-D			
	2x26W TC-TEL GX24q-3 HF			
	2x32W TC-TEL GX24q-3 HF			
	2x32W TC-TEL GX24q-3 HF-D			

#### Info notes

All variants can be delivered with light source and/or 2m cable + plug. A complete fixture consists of a reflector unit and a light distribution part (LDP). Emergency box to be ordered separately.

# AH System Basic



**Design** Alfred Homann

**Concept** The fixture emits light directed primarily downwards. A key feature of the fixture is that the electrical components are built into the ceiling, while the light distribution parts (LDP) are located below the ceiling. The light distribution is controlled primarily via glossy or matt reflectors, such that the LDP components create different lighting effects.

**Finish** (LDP) Polished aluminium, white or satinised aluminium, wet painted.

**Material** LDP: Die cast aluminium. Glass: White and clear overlay glass. Reflector: Spun aluminium, matt anodised or spun metallised polished aluminium.

**Mounting** Ceiling thickness: 1-50mm. Ceiling Cut-Out: Ø 210mm. Terminal block: 1x5x2.5mm<sup>2</sup>. Looping: Approved, max. 5x1,5mm<sup>2</sup>. For more information please look at [www.louispuolsen.com](http://www.louispuolsen.com).

**Weight** Max. 3kg.

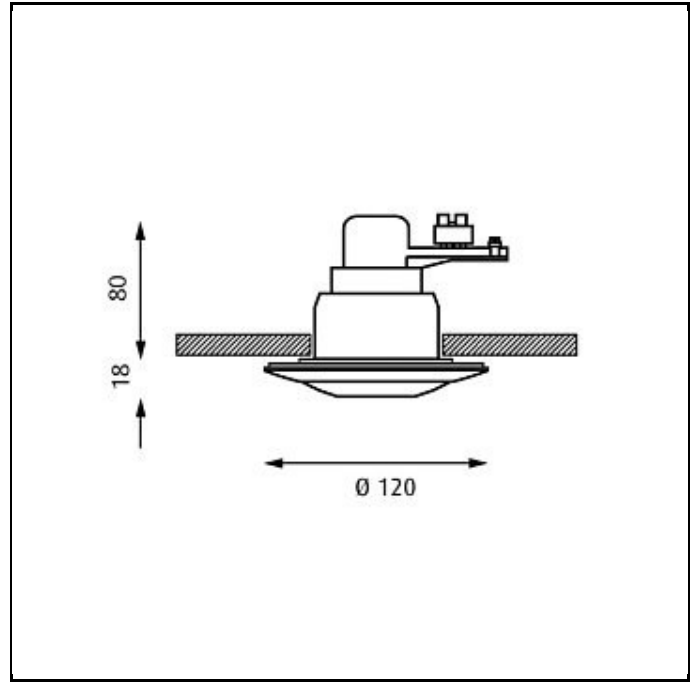
**Class** Ingress protection IP21. Electric shock protection I w. ground.

Product Code	Light source	Finish	Reflector	Lighting control
AHS-BAS-C	1x26W TC-TEL GX24q-3 HF	ALU	MATT	DALI/DSI/SWITCH-DIM/SMART-DIM
	1x32W TC-TEL GX24q-3 HF			
	1x32W TC-TEL GX24q-3 HF-D			
	2x26W TC-TEL GX24q-3 HF			
	2x32W TC-TEL GX24q-3 HF			
	2x32W TC-TEL GX24q-3 HF-D			

## Info notes

All variants can be delivered with light source and/or 2m cable + plug. A complete fixture consists of a reflector unit and a light distribution part (LDP). Emergency box to be ordered separately.

# AH System Micro



**Design** Alfred Homann

**Concept** The light distribution is clear and directed downwards. An opal glass ring provides soft light for both the ceiling and space. It also significantly reduces the angle of glare, so that passers-by are exposed to minimal glare.

**Finish** Polished or satinised aluminium, wet painted. Matt white opal glass.

**Material** Glass: White and clear overlay glass. Trim ring: Die cast aluminium.

**Mounting** Ceiling thickness: 5-32mm. Ceiling Cut-Out: Ø 70mm. Terminal block: 1x2x4mm<sup>2</sup>. Looping: Not approved. Ballast: Supplied without transformer. For more information please look at [www.louispuolsen.com](http://www.louispuolsen.com).

**Weight** Max. 0.5kg.

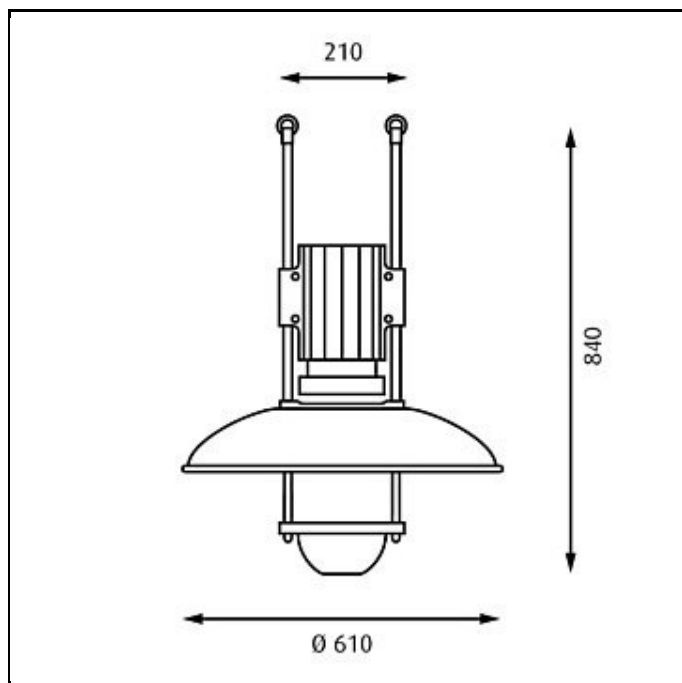
**Class** Ingress protection IP20. Electric shock protection III low voltage.

Product Code	Light source	Finish
AHS-MI-C	1x35W QT ax-12 Frosted GY6,35	POLISH ALU SATINISED ALU

**Info notes**

Supplied with light source. The fitting is also approved for 50W, but then the fixture is not approved for mounting directly on flammable material. Ballast has to be ordered separately.

# Airport



**Design** Louis Poulsen Lighting A/S

**Concept** The fixture provides 100% glare-free light, directed primarily downwards. Two models are available, with either wide or narrow light distribution. The light distribution is determined by a top shade that is either polished or painted white on the underside.

**Finish** White, powder coated. Anodised aluminium.

**Material** Reflector: Spun grey, anodised aluminium. Bottom cup: Die cast aluminium. Housing: Die cast aluminium. Pendant tubes: Polished stainless steel.

**Mounting** Suspension type: Cable 3x0,75mm<sup>2</sup> & wire. Canopy: No. Cable length: 4m

**Weight** Max. 11.5kg.

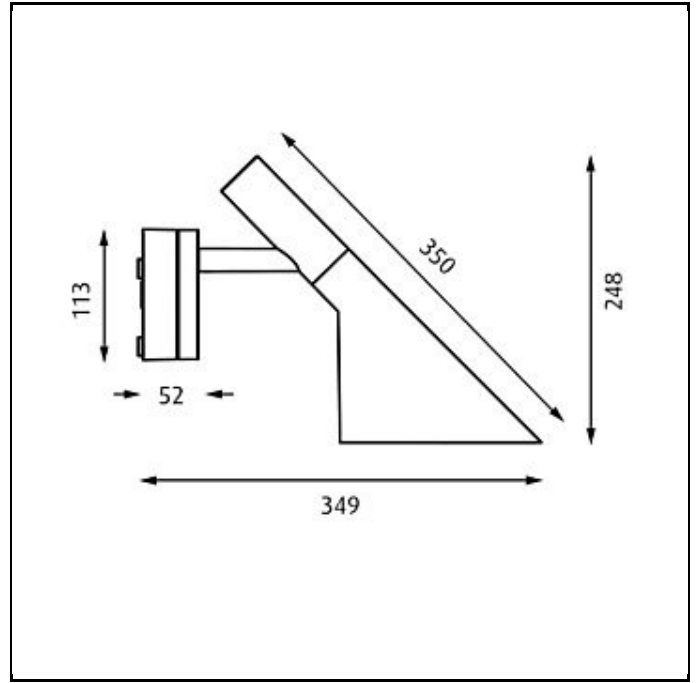
**Class** Ingress protection IP20. Electric shock protection I w. ground.

Product Code	Light source	Finish	Reflector	Cable type
AIR-P	1x150W HIT-DE Rx7s-24 HF	WHT	NARROW	WHT PL/WIRE
	1x500W QT-DE 12 Clear R7s		WIDE	

**Info notes**

Reflector wide beam: white. Reflector narrow beam: aluminium. HIT-version phase-compensated.

# AJ 50 Wall



**Design** Arne Jacobsen

**Concept** The fixture emits downward directed light. The shade is painted white on the inside to ensure a soft comfortable light distribution.

**Finish** White, black or aluminium coloured with textured surface, powder coated.

**Material** Shade: Die cast aluminium. Wall box: Die cast aluminium. Arm: Die cast aluminium.

**Mounting** Terminal block: 1x3x2.5mm<sup>2</sup>. Cable entries: 2x bottom + 3x rear entries for Ø 10-14.5mm cable. Looping: Approved, max. 3x1,5mm<sup>2</sup>.

**Weight** Max. 2kg.

**Class** Ingress protection IP65. Electric shock protection I w. ground. IK06.

Product Code	Light source	Finish
AJ-50-W	9W LED 3000K	ALU COL TEXT BLK TEXT WHITE TEXT

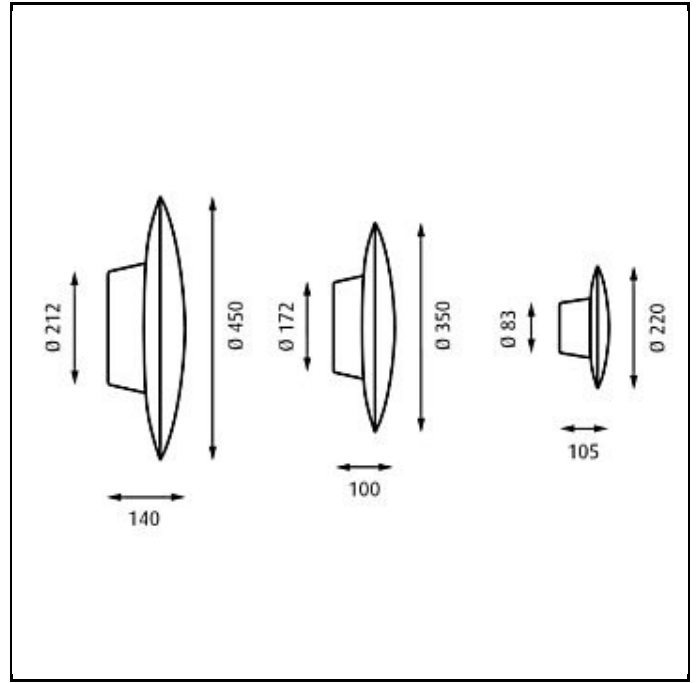
**Specification notes**

1. AJ 50 Wall has a LED light source that can be connected directly to the main power supply. 2. All LED efficiency information are measured as system power.

**Info notes**

The innovation of the LED technology is constant. The specifications mentioned are based on present technology. Please find updated info on products on our website [www.louispoulsen.com](http://www.louispoulsen.com).

# AJ Eklipta



**Design** Arne Jacobsen

**Concept** The fixture emits soft comfortable light. The glass is designed to provide a uniformly lit surface. The three-layer mouth-blown opal glass shade has a transparent edge, providing a decorative halo of light around the fixture.

**Finish** White, powder coated. White opal glass.

**Material** Ceiling/Wall box: Die cast aluminium or spun aluminium. Diffuser: Mouth-blown white opal glass.

**Mounting** Terminal block: Ø 220/Ø 350: 3x2,5mm<sup>2</sup>, Ø 450: 5x2,5mm<sup>2</sup>. Looping: Approved, Ø 220/Ø 350mm: Max. 3x1,5mm<sup>2</sup>, Ø 450: Max. 5x1,5mm<sup>2</sup>. Ballast positioning: In ceiling/wall box.

**Weight** Max. 4kg.

**Class** Ingress protection, Ceiling: IP20, Wall: IP44 (Ø 220; Ceiling: IP20, Wall: IP21). LED ceiling/ wall: IP20. Electric shock protection I w. ground.

Product Code	Dimensions	Light source	Finish	Shield/Diffuser	Body	Mounting	Lighting control
AJE-WC	Ø 220	13W LED 3000K	WHT	WHT OPAL	BOX W/O SIDE CABLE HOLES	WALL	DALI
	Ø 350	13W LED 4000K			BOX W/SIDE CABLE HOLES	WALL & CEILING	DIM 1-10V
	Ø 450	1x100W E27					
		1x18W TC-TEL GX24q-2 HF					
		1x40W QT ax-14 G9					
		1x60W E27					
		27W LED 3000K					
		27W LED 4000K					
		2x18W TC-TEL GX24q-2 HF					
		2x26W TC-TEL GX24q-3 HF					
		9W LED 2700K					
9W LED 3000K							

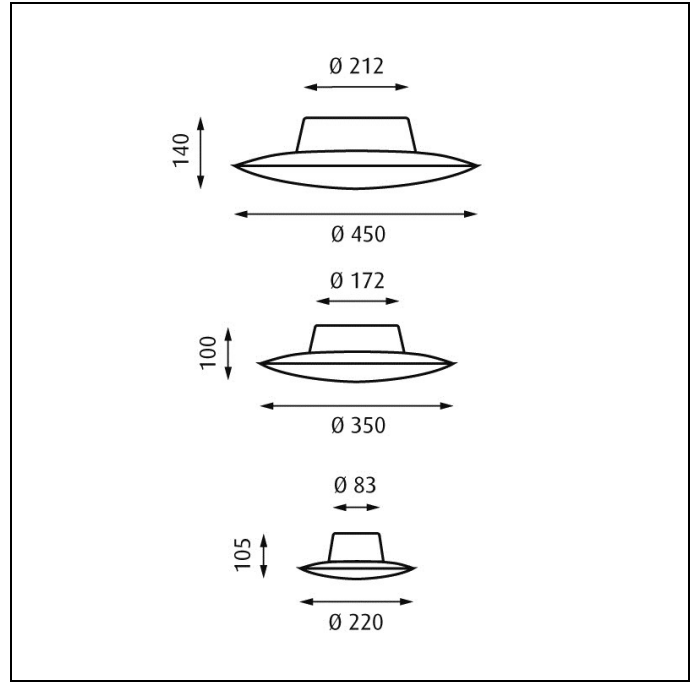
**Specification notes**

40W QT G9 only available for Ø 220. 60W E27 and 1x18W TC-TEL only available for Ø 350. 100W E27, 2x18W TC-TEL and 2x26W TC-TEL only available for Ø 450. Emergency light only available with 18W TC-TEL Ø220 only available with wall & ceiling.

**Info notes**

Only wall mounted versions for outdoor use. Ø 220 is for indoor use only. Emergency versions not suitable for amalgam light sources. Ceiling mounted variants are delivered without side cable holes. Wall mounted variants is delivered with side cable holes. The variant for wall & ceiling is only available with IP20. Emergency light only available with IP20. Leading edge dimmer on Ø220 LED variants is 100W Triac dimmer. For LED fixtures without glass, please contact the sales office. Find energysaving alternative light sources on [www.louispoulsen.com](http://www.louispoulsen.com). The innovation of the LED technology is constant. The specifications mentioned are based on present technology. Please find updated info on products on our website [www.louispoulsen.com](http://www.louispoulsen.com).

# AJ Eklipta



**Design** Arne Jacobsen

**Concept** The fixture emits soft comfortable light. The glass is designed to provide a uniformly lit surface. The three-layer mouth-blown opal glass shade has a transparent edge, providing a decorative halo of light around the fixture.

**Finish** White, powder coated. White opal glass.

**Material** Ceiling/Wall box: Die cast aluminium or spun aluminium. Diffuser: Mouth-blown white opal glass.

**Mounting** Terminal block: Ø 220/Ø 350: 3x2,5mm<sup>2</sup>, Ø 450: 5x2,5mm<sup>2</sup>. Looping: Approved, Ø 220/Ø 350mm: Max. 3x1,5mm<sup>2</sup>, Ø 450: Max. 5x1,5mm<sup>2</sup>. Ballast positioning: In ceiling/wall box.

**Weight** Max. 4kg.

**Class** Ingress protection, Ceiling: IP20, Wall: IP44 (Ø 220; Ceiling: IP20, Wall: IP21). LED ceiling/ wall: IP20. Electric shock protection I w. ground.

Product Code	Dimensions	Light source	Finish	Shield/Diffuser	Body	Mounting	Lighting control
	Ø 220	13W LED 3000K	WHT	WHT OPAL	BOX W/O SIDE CABLE HOLES	CEILING	DALI
	Ø 350	13W LED 4000K			BOX W/SIDE CABLE HOLES	WALL & CEILING	DIM 1-10V
	Ø 450	1x100W E27					LEADING EDGE
		1x18W TC-TEL GX24q-2 HF					NONE
		1x40W QT ax-14 G9					
		1x60W E27					
		27W LED 3000K					
		27W LED 4000K					
		2x18W TC-TEL GX24q-2 HF					
		9W LED 2700K					
		9W LED 3000K					

**Specification notes**

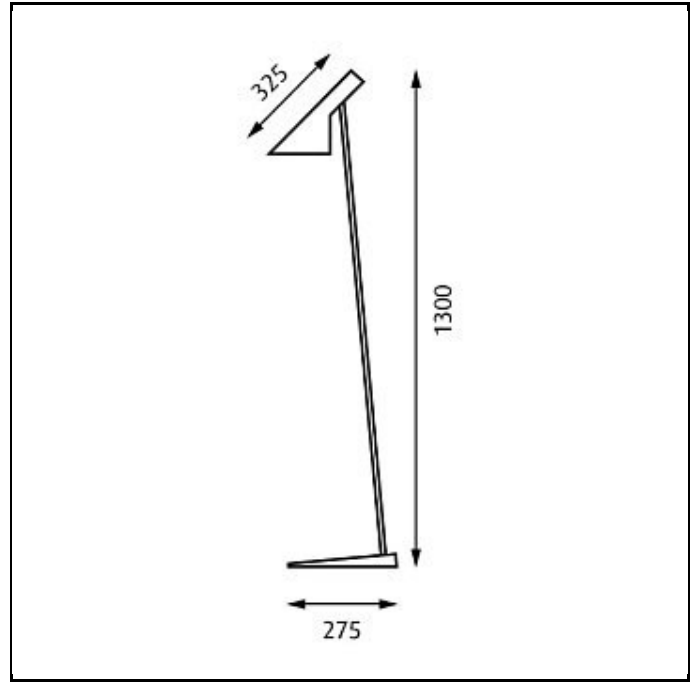
40W QT G9 only available for Ø 220. 60W E27 and 1x18W TC-TEL only available for Ø 350. 100W E27, 2x18W TC-TEL and 2x26W TC-TEL only available for Ø 450. Emergency light only available with 18W TC-TEL Ø220 only available with wall & ceiling.

**Info notes**

Only wall mounted versions for outdoor use. Ø 220 is for indoor use only. Emergency versions not suitable for amalgam light sources. Ceiling mounted variants are delivered without side cable holes. Wall mounted variants is delivered with side cable holes. The variant for wall & ceiling is only available with IP20. Emergency light only available with IP20. Leading edge dimmer on Ø220 LED variants is 100W Triac dimmer. For LED fixtures without glass, please contact the sales office. Find energysaving alternative light sources on [www.louispoulsen.com](http://www.louispoulsen.com). The innovation of the LED technology is constant. The specifications mentioned are based on present technology. Please find updated info on products on our website [www.louispoulsen.com](http://www.louispoulsen.com).



# AJ Floor



**Design** Arne Jacobsen

**Concept** The fixture emits downward directed light. The angle of the shade can be adjusted to optimize light distribution. The shade is painted white on the inside to ensure a soft comfortable light.

**Finish** Blue/green, petroleum, red, sand, yellow/green, black, graphite grey or white, wet painted.

**Material** Shade: Spun steel. Base: Die cast zinc. Stem: Steel.

**Mounting** Cable type: Plastic cord with plug. Cable length: 2.4m. Light control: In-line switch on cord.

**Weight** Max. 3.5kg.

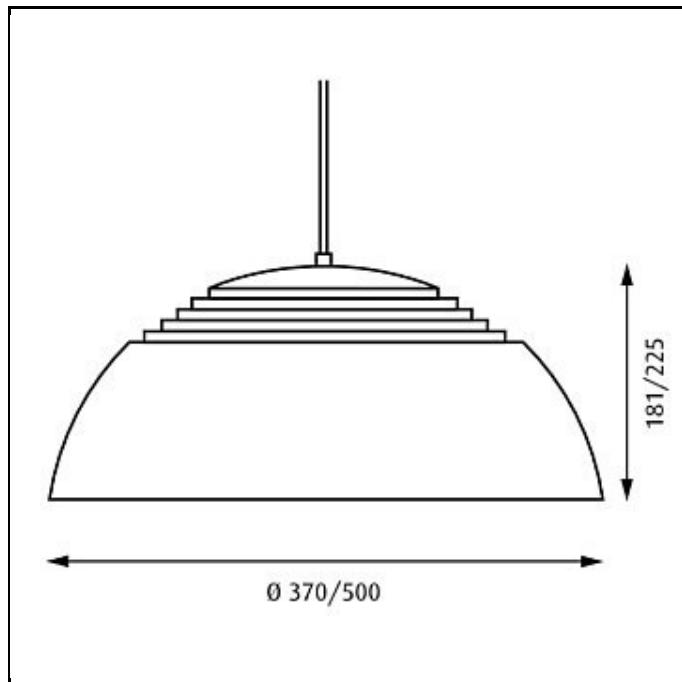
**Class** Ingress protection IP20. Electric shock protection II.

Product Code	Light source	Finish	Switch/Plug	Cable type
AJ-F	1x60W E27	BLK BLUE/GREEN GRAPH GREY PETROLEUM RED SAND WHT YELLOW/GREEN	W/ON/OFF SWITCH	BLK PL WHT PL

**Specification notes**

The white version is supplied with a white cable. The other versions are supplied with a black cable. The innovation of light sources is ongoing. Consequently we only inform about the max. wattages. On [www.louispoulsen.com](http://www.louispoulsen.com) we update a list of recommendable light sources.

# AJ Royal



**Design** Arne Jacobsen

**Concept** The light is diffused through an opal acrylic base plate, ensuring 100% glare-free lighting. The open rings at the top faintly illuminate the fixture.

**Finish** White, wet painted.

**Material** Shades: Spun aluminium. Rings: Steel.

**Mounting** Suspension type: Cable 3x0,75mm<sup>2</sup>. Canopy: Yes. Cable length: 3m.

**Weight** Max. 4kg.

**Class** Ingress protection IP20. Electric shock protection I w. ground.

Product Code	Dimensions	Light source	Finish	Cable type
AJR-P	Ø 370 Ø 500	1+3x100W E27 1x100W E27 1x22W T-R5 2GX13 HF 1x55W T-R5 2GX13 HF	WHT	WHT PL WHT TEX

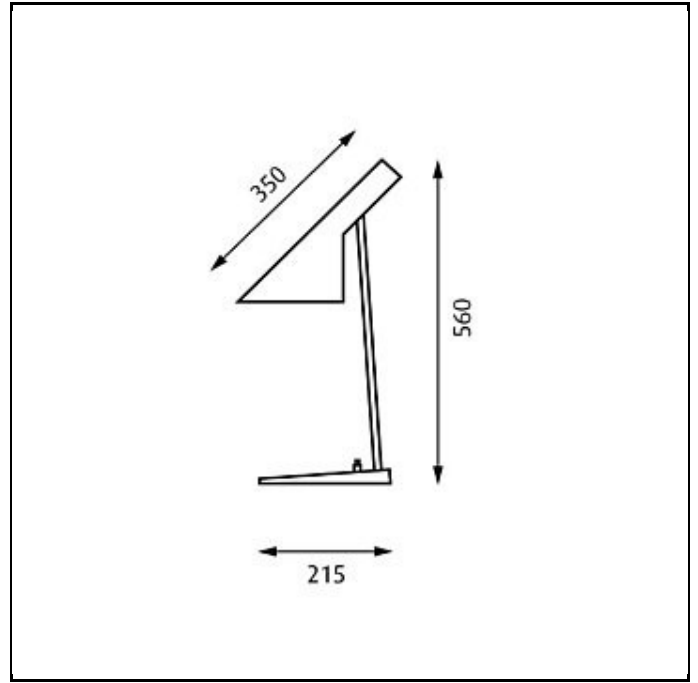
#### Specification notes

100W E27 and 22W T-R5 only available for Ø370. 1+3x100W E27 and 55W T-R5 only available for Ø500. Incandescent versions with textile cable. The innovation of light sources is ongoing. Consequently we only inform about the max. wattages. On [www.louispuulsen.com](http://www.louispuulsen.com) we update a list of recommendable light sources.

#### Info notes

Converter required for 1-10V signal. Find energysaving alternative light sources on [www.louispuulsen.com](http://www.louispuulsen.com).

# AJ Table



**Design** Arne Jacobsen

**Concept** The fixture emits downward directed light. The angle of the shade can be adjusted to optimize light distribution. The shade is painted white on the inside to ensure a soft comfortable light.

**Finish** Blue/green, petroleum, red, sand, yellow/green, black, graphite grey or white, wet painted.

**Material** Shade: Spun steel. Base: Die cast zinc. Stem: Steel.

**Mounting** Cable type: Plastic cord with plug. Cable length: 2.4m. Light control: Switch in lamp stand.

**Weight** Max. 2.5kg.

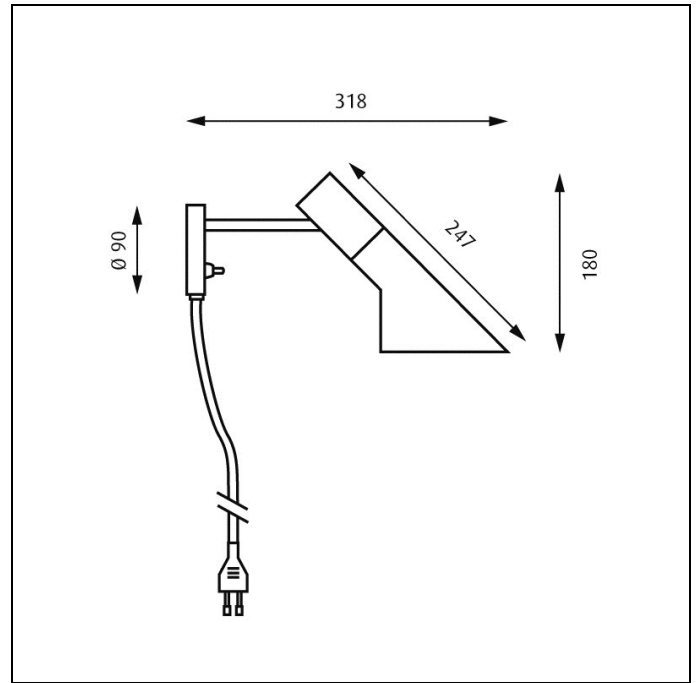
**Class** Ingress protection IP20. Electric shock protection II.

Product Code	Light source	Finish	Cable type
AJ-T	1x60W E27	BLK BLUE/GREEN GRAPH GREY PETROLEUM RED SAND WHT YELLOW/GREEN	BLK PL WHT PL

**Specification notes**

The white version is supplied with a white cable. The other versions are supplied with a black cable. The innovation of light sources is ongoing. Consequently we only inform about the max. wattages. On [www.louispoulsen.com](http://www.louispoulsen.com) we update a list of recommendable light sources.

# AJ Wall



**Design** Arne Jacobsen

**Concept** The fixture emits downward directed light. The angle of the shade and rotation can be adjusted to optimize light distribution. The shade is painted white on the inside to ensure a soft comfortable light.

**Finish** Blue/green, petroleum, red, sand, yellow/green, black, graphite grey or white, wet painted.

**Material** Shade: Spun steel. Wall box: Spun steel. Arm: Steel.

**Mounting** Cable type: Plastic cord with plug. Cable length: 2.4m. Light control: Switch in wallbox.

**Weight** Max. 1kg.

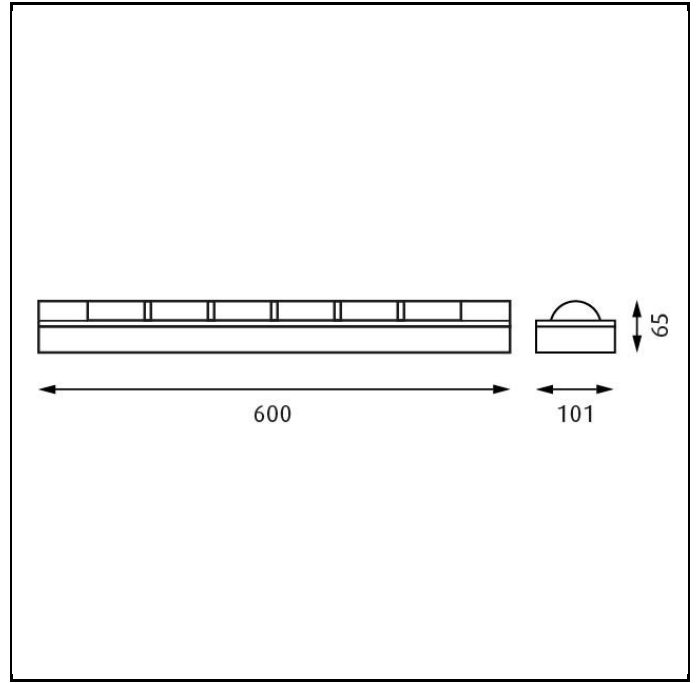
**Class** Ingress protection IP20. Electric shock protection II w/o ground.

Product Code	Light source	Finish	Shade	Cable type
AJ-W	1x40W E14	BLK BLUE/GREEN GRAPH GREY PETROLEUM RED SAND WHT YELLOW/GREEN	TILTABLE	BLK PL WHT PL

**Specification notes**

The innovation of light sources is ongoing. Consequently we only inform about the max. wattages. On [www.louispuolsen.com](http://www.louispuolsen.com) we update a list of recommendable light sources.

# AL 600



**Design** Mads Odgård

**Concept** The fixture has either a wide or very wide beam width. The two lightdistributions expand the flexibility in optimizing the lighting in narrow surroundings like tunnels and arcades. The design is low and sturdy.

**Finish** Aluminium coloured with textured surface, powder coated.

**Material** Housing: Die cast aluminium. Diffuser: Polycarbonate.

**Mounting** Looping: Approved, max 5x2,5 mm<sup>2</sup>. Integral ballast. Installation cabel: 8-13mm. (not enclosed).

**Weight** Max. 3 kg.

**Class** Ingress protection IP65. Electric shock protection I w. ground. IK10.

Product Code	Light source	Finish	Reflector
AL-600-C	6 POWER LED 3200K 12/16W 6 POWER LED 3200K 8W	ALU COL TEXT	VERY WIDE WIDE

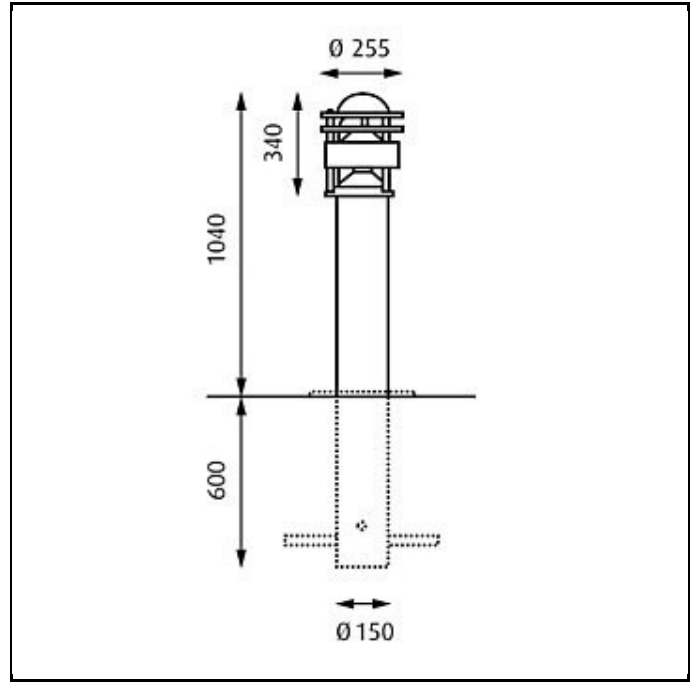
**Specification notes**

6 POWER LED 3200K system power consumption 8W is WIDE. 6 POWER LED 3200K system power consumption 12/16W is VERY WIDE.

**Info notes**

Can be fitted directly on a wall or ceiling. Connection in each end, by 5x2,5mm<sup>2</sup> terminals. The innovation of the LED technology is constant. The specifications mentioned are based on present technology. Please find updated info on products on our website [www.louispoulsen.com](http://www.louispoulsen.com).

# Albertslund Bollard



**Design** Jens Møller-Jensen

**Concept** The fixture provides a wide symmetrical illumination. The design of the reflector ring combined with the internal reflector ensures the majority of the light is directed downward. The anti-glare ring shields the lamp from direct view.

**Finish** Aluminium coloured with textured surface, graphite with textured surface or grey, powder coated.

**Material** Reflector: White, spun aluminium. Enclosure: Injection moulded clear polycarbonate. Ring: Spun aluminium. Anti glare ring: Spun aluminium. Top: Die cast aluminium. Post: Extruded aluminium. Base plate: Die cast aluminium.

**Mounting** In-ground struts: Yes. Terminal block positioning: In post. Looping: Approved, max 5x2,5mm<sup>2</sup>. Ballast positioning: In post. Max. installation cable: Depending on installation box. Post f/in-ground installation: H: 1300mm excl. fixture head, in-ground part: 600mm. Post w/base plate for surface mounting: H: 700mm excl. fixture head. Post dia. 150mm.

**Weight** Max. 13kg.

**Class** Ingress protection IP44. Electric shock protection I w. ground, II w/o ground. IK10.

Product Code	Light source	Finish	Class	Mounting	Pole/Post
ALB-B	1x26W/32W/42W TC-TEL HF	ALU COL TEXT	I	W/ACCESS DOOR	POST F/IN-GROUND INSTALLATION
	1x70W HIE-CRI E27 Conv.	GRAPH TEXT	II		POST W/BASE PLATE
		GREY			

**Info notes**

Supplied with bracket for terminal box. Post for base plate installation is supplied without anchor bolts. Anchor bolts to be sourced locally.